

Torre/Reazioni | Masts/Reactions | Mat/Réactions | Maste/Eckdrücke | Mástil/Reacciones | Tramo/Reacções

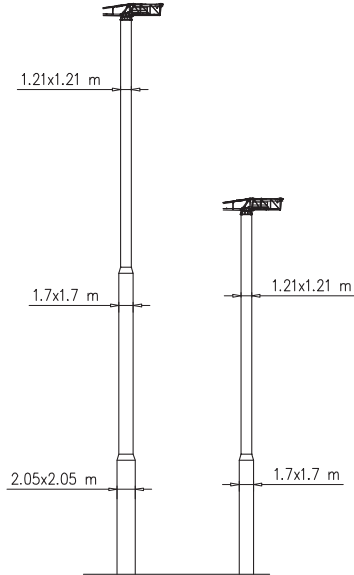
### SH1210

 20 m  $\rightarrow$  47.5 m

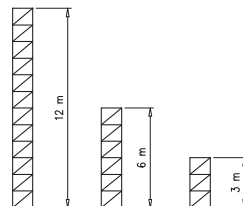
Torre/Masts/Mat/Maste/Mástil/Tramo		H[m]					
		2f/2f BLO60	2f/2f B0060	2f/2f B0120	2f/2f ST030	2f/2f ST060	2f/2f ST120
TRO	42			1		5	
	42	1	1			5	
TTD	42						
	33				1	5	

Torre/Masts/Mat/Maste/Mástil/Tramo		H[m]					
		2f/2f BLO60	2f/3f B0060	2f/3f B0120	2f/2f ST030	2f/2f ST060	2f/2f ST120
CAF	42			1		5	
	42	1	1			5	
R2	42						
	33				1	5	

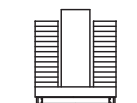
Torre/Masts/Mat/Maste/Mástil/Tramo		H[m]					
		2f/2f BLO60	2f/2f B0060	2f/2f B0120	2f/2f ST030	2f/2f ST060	2f/2f ST120
CATR	36			1		4	
	36	1	1		2	3	
CATC	36						
	36						



H=0-23 m	H=24-36 m	H=37-42 m
R1 49 t	R1 53 t	R1 69 t
R2 47 t	R2 53 t	R2 40 t
R3 22 t	R3 25.6 t	R3 40 t
M 80 tm	M 116 tm	M 185 tm



Peso zavorra | Ballast weight | Poids du lest | Ballastgewicht | Peso de lastre







H	Tot.
0-18 m	36000 kg
19-33 m	54000 kg
34-36 m	60000 kg
37-42 m	72000 kg

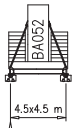

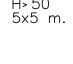
Torre/Reazioni | Masts/Reactions | Mat/Réactions | Maste/Eckdrücke | Mástil/Reacciones | Tramo/Reacções

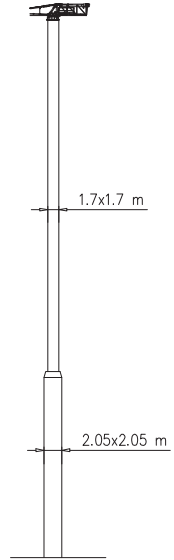
SK1700

 20 m → 47.5 m

		Torre/Masts/Mat/Maste/Mástil/Tramo														
		H[m]	4f/4f BF117	4f/4f BF052	4f/4f BF039	4f/2f SB117	4f/2f SB052	4f/2f SB039	2f/2f ST117	2f/2f ST052	2f/2f ST039	2f/2f STB117	2f/2f STB039	2f/2f RAO39	4f/2f SBB039	4f/2f SBB117
		54.6							4		2					
		52								10						
		35.1							3							
*	52												11	1		
*	52											1	8	1		

		Torre/Masts/Mat/Maste/Mástil/Tramo														
		H[m]	4f/4f BF117	4f/4f BF052	4f/4f BF039	4f/2f SB117	4f/2f SB052	4f/2f SB039	2f/2f ST117	2f/2f ST052	2f/2f ST039	2f/2f STB117	2f/2f STB039	2f/2f RAO39	4f/2f SBB039	4f/2f SBB117
		59.8							4		2					
		59.8								9	2					
		40.3							3							
																
*	52												11	1		
*	52											1	8	1		

		Torre/Masts/Mat/Maste/Mástil/Tramo														
		H[m]	4f/4f BF117	4f/4f BF052	4f/4f BF039	4f/2f SB117	4f/2f SB052	4f/2f SB039	2f/2f ST117	2f/2f ST052	2f/2f ST039	2f/2f STB117	2f/2f STB039	2f/2f RAO39	4f/2f SBB039	4f/2f SBB117
		52							4							
		52								9						
		40.3							3							
																
																
*	52												11	1		
*	52											1	8	1		



H=0-35 m	
R1	65 t
R2	65 t
R3	54 t
M	156 tm

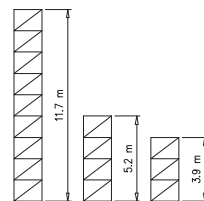
H=36-45 m	
R1	72 t
R2	72 t
R3	61 t
M	194 tm

H=46-58 m	
R1	106 t
R2	106 t
R3	95 t
M	336 tm

Peso zavorra | Ballast weight | Poids du lest | Ballastgewicht | Peso de lastre



H	Tot.
0-35 m	60800 kg
36-45 m	72000 kg
46-58 m	105000 kg



Curve di carico | Courbes de charges | Load diagrams | LastKurven | Curvas de cargas

Pmax 2500 kg

	12000 kg		2	26	27.5	30	32.5	35	37.5	40	42.5	45	47.5	m
			2500	2500	2460	2110	1910	1730	1580	1450	1340	1230	1000	kg
	12000 kg		2	28.5	30	32.5	35	37.5	40	42.5	45	m		
			2500	2500	2360	2120	1900	1720	1560	1420	1300	kg		
	10800 kg		2	27.5	30	32.5	35	37.5	40	m				
			2500	2500	2400	2160	1940	1760	1600	kg				
	10800 kg		2	30	32.5	35	m							
			2500	2500	2320	2200	kg							
	9600 kg		2	30	m									
			2500	2500	kg									
	8400 kg		2	25	m									
			2500	2500	kg									
	7200 kg		2	20	m									
			2500	2500	kg									
	4800 kg		2	15	m									
			2500	2500	kg									

Pmax 6000/3000 kg

	12000 kg		2	13.7	15	17.5	20	22.5	27.5	30	32.5	35	37.5	40	42.5	45	47.5	m
			6000	6000	5450	4500	3900	3000	2460	2110	1910	1730	1580	1450	1340	1230	1000	kg
	12000 kg		2	13.7	15	17.5	20	22.5	24.5	27.5	30	32.5	35	37.5	40	42.5	45	m
			6000	6000	5450	4500	3900	3370	3000	2650	2360	2120	1900	1720	1560	1420	1300	kg
	10800 kg		2	14	15	17.5	20	22.5	25	27.5	30	32.5	35	37.5	40	m		
			6000	6000	5450	4500	3900	3370	3000	2690	2400	2160	1940	1760	1600	kg		
	10800 kg		2	14	15	17.5	20	22.5	25	28.5	30	32.5	35	m				
			6000	6000	5450	4500	4100	3700	3400	3000	2500	2320	2200	kg				
	9600 kg		2	15	17.5	20	22.5	25	29	30	m							
			6000	6000	4500	4100	3700	3400	3000	2800	kg							
	8400 kg		2	15	17.5	20	22.5	25	m									
			6000	6000	4500	4100	3700	3500	kg									
	7200 kg		2	15	17.5	20	m											
			6000	6000	4500	4000	kg											
	4800 kg		2	15	m													
			6000	6000	kg													

Pmax 4000/2000 kg

	12000 kg		2	17.5	20	22.5	25	27.5	30	32.5	35	37.5	40	42.5	45	47.5	m
			4000	4000	3410	2990	2630	2460	2110	1910	1730	1580	1450	1340	1230	1000	kg
	12000 kg		2	19.5	22.5	25	27.5	30	32.5	35	37.5	40	42.5	45	m		
			4000	4000	3370	2970	2650	2360	2120	1900	1720	1560	1420	1300	kg		
	10800 kg		2	20	22.5	25	27.5	30	32.5	35	37.5	40	m				
			4000	4000	3520	3100	2690	2400	2160	1940	1760	1600	kg				
	10800 kg		2	22.5	25	27.5	30	32.5	35	m							
			4000	4000	3560	3180	2870	2320	2200	kg							
	9600 kg		2	23	25	27.5	30	m									
			4000	4000	3730	3360	2800	kg									
	8400 kg		2	24	25	m											
			4000	4000	3900	kg											
	7200 kg		2	20	m												
			4000	4000	kg												
	4800 kg		2	15	m												
			4000	4000	kg												

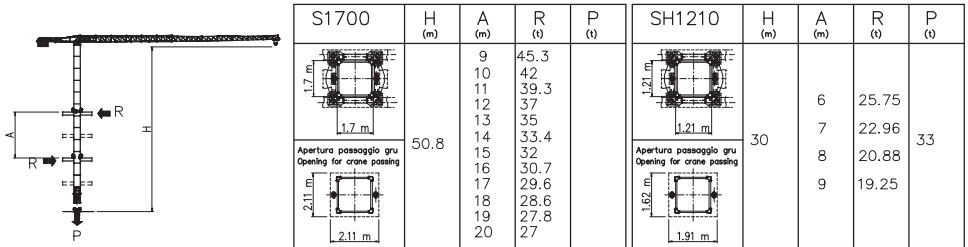
Pesi e ingombri | Packing list | Liste de colisage | Gewicht und abmessungen

Denominazione Description	Disegno Draw	Pezzi Pieces	Dimensioni—Dimensions (mm)			Peso—Weight (kg)			
			L	W	H	Unit	Total		
Elemento di braccio Jib element Elément de èche Elemento de flecha	n°9		1	5500	1480	2290	1163	—	
	n°8		1	5260	1200	2150	722	—	
	n°7		1	5225	1200	2060	635	—	
	n°6		1	5200	1200	1630	500	—	
	n°5		1	5160	1200	1630	370	—	
	n°4		1	5140	1200	1610	350	—	
	n°3		1	5110	1200	1610	250	—	
	n°2		1	5090	1200	1260	210	—	
	n°1		1	5090	1200	1260	200	—	
	Punta braccio		1	700	1200	500	55	—	
Controbraccio completo Complete counterjib Contreflèche complète Contraflecha completa		1	10660	1750	1480	1850	—		
Gruppo girevole Slewing group Table tournante Grupo giratorio	SK1700		1	2300	1810	2900	5900	—	
	S1200		1	2450	1810	2900	3000	—	
Carrello Trolley Chariot Carretilla	P6		1	1600	1620	710	320	—	
Ballatoio con cabina Access balcony with cabin Porte cabine Balcón corrido con cabina			1	2500	2150	2450	1000	—	
Blocchi contrappeso Counterweight block Contre-poids Bloques de contrapeso	VX24		VS12	2	1000	200	2500	1200	2400
	VS12			VX24	4	1000	400	2500	2400
Elemento di torre Mast element Elément de mature Elemento de torre	STD039		SK1700	—	3900	1785	1785	1750	—
	STD052		SK1700	—	5200	1785	1785	2250	—
	STD117		SK1700	—	11700	1785	1785	4690	—

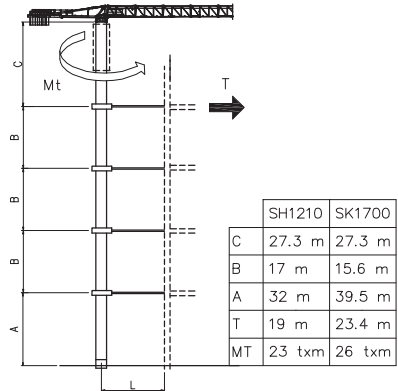
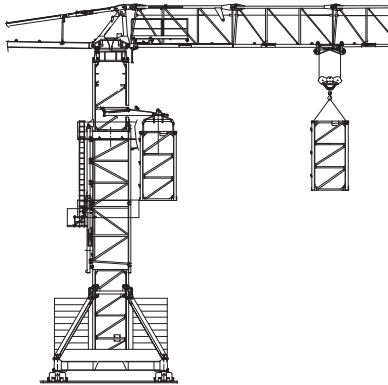
Pesi e ingombri | Packing list | Liste de colisage | Gewicht und abmessungen

Denominazione Description	Disegno Draw	Pezzi Pieces	Dimensioni-Dimensions (mm)			Peso-Weight (kg)		
			L	W	H	Unit	Total	
Elemento di torre Mast element Élément de mature Elemento de torre	ST030	SH1210	–	3000	1210	1210	840	–
	ST060	SH1210	–	6000	1210	1210	1490	–
	ST120	SH1210	–	12000	1210	1210	3000	–
	BO060	SH1210	–	6000	1210	1210	2120	–
	BO120	SH1210	–	12000	1210	1210	3500	–
	BL060	SH1210	–	6000	–	–	–	–
Elemento di base Base element Mat de base Elemento de base	BA052	SK1700	1	5200	2060	2060	3650	–
Carro di base Base carriage Chassis de base Cruceta de base		3,2x3,2	1	4670	520	660	1160	1160
		3,8x3,8	1	5700	520	660	2280	2280
		4,5x4,5	1	6670	670	780	2040	2040
		5x5	1	7550	670	780	2300	2300
		3,2x3,2	2	2180	340	660	550	1100
		3,8x3,8	2	2700	340	660	1090	2180
		4,5x4,5	2	3180	420	780	980	1960
		5x5	2	3530	420	780	1060	2120
Puntoni di base Rafter Jambes de force Cabrios de base		4,5x4,5	4	4070	240	300	270	1080
		5x5	4	4250	240	300	280	1120
Elemento a perdere Disposable frame Chassis a perdre Bastidor desechable		SH1210	1	2015	1210	1210	800	–
		SK1700	1	1840	1910	1910	1430	–
Elemento recuperabile Recoverable frame Chassis récupérable Bastidor recuperable		SH1210	1	400	1700	1700	610	–
		SK1700	1	1300	2170	2170	1720	–
Bogie di traslazione Driven bogie Boggie motorisèe Balancin de traslaciòn		w/	4	1160	700	600	700	2800
Blocco zavorra di base Base ballast block Lest de base Bloque de lastre		3,2x3,2	–	3600	1150	300	3000	–
		3,8x3,8	–	4000	1200	270	3000	–
		4,5x4,5	2	5000	750	600	5175	10350
		5x5	2	5300	1000	600	7300	14600
		4,5x4,5	–	3600	1450	300	2800	–
		5x5	–	4100	1600	300	3500	–
Corsoio di montaggio Climbing cage Cage de montage Jaula de montaje		SH1210	1	8300	1600	1500	3000	–
		SK1700	1	8300	2600	2500	6000	–

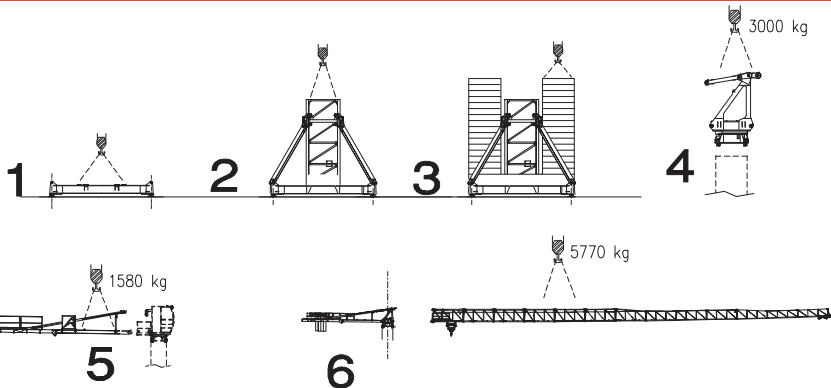
Gru in cavedio | Télescopage sur dalles | Climbing crane | Kletterkrane im Gebäude



Sopralzo idraulico | Telescopable | External climbing | Kletterkrane



Montaggio | Montage | Erection | Montage | Montaje | Montagem



**Meccanismi | Mechanisms | Mécanismes | Antriebe | Mecanismos**

Sollevamento V15.40 Hoisting Levage Heben Elevación Elevação											V15.40 11 kW 20 kVA  172 m	
	m/min	5	13	19	30	45	2.5	6.5	9.5	15		22.5
	t	2	2	2	1.4	0.56	4	4	4	2.8		1.12

Sollevamento V15.40 Hoisting Levage Heben Elevación Elevação							V15.40 11 kW 20 kVA  172 m	
	m/min	5	13	19	30			45
	t	2.5	2.5	1.9	1.4			0.56

Sollevamento V25.60 Hoisting Levage Heben Elevación Elevação											V25.60 18.4 kW 37 kVA  172 m			
	m/min	7	18	28	42	56	65	3.5	9	14		21	28	32.5
	t	3	3	3	2.25	1.5	0.9	6	6	6		4.5	3	1.8

Carrello Trolleying Distribution Katzfahren Distribución Distribuição			0 → 55	m/min	2.2 kW	Potenza elettrica necessaria Puissance électrique nécessaire Necessary electric power Anschlusswert – Potencia
Rotazione Slewing Orientation Schwenken Orientación Rotação			0 → 0,9	giri/min tr/min rp/min	2.2 kW @ 1200rpm	
Traslazione Travelling Translation Kranfahren Traslación Traslação			0 → 20	m/min	3.7 kW	

**Rete elettrica | Réseau | Mains supply | Netzstrom | Red | Rede electrica**

**400 V - 50 Hz**