


- SK1700 - 1.70x1.70 m
- SN2050 - 2.05x2.05 m


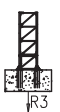
H=Altezza sotto gancio
 H=Height under hook
 H=Hauteur sous crochet




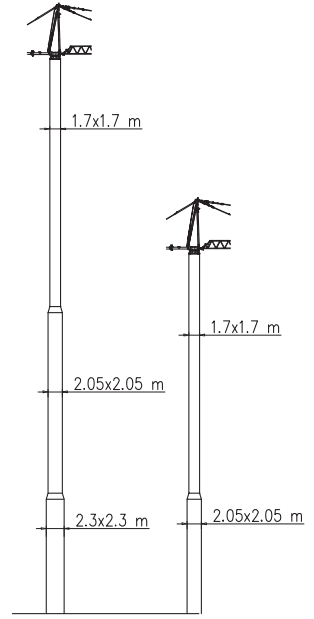
Torre/Reazioni | Masts/Reactions | Mat/Réactions | Maste/Eckdrücke | Mástil/Reacciones | Tramo/Reações

SK1700

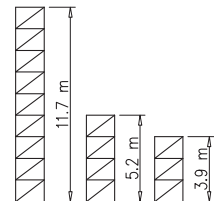
 45 m \rightarrow 65 m

		Torre/Masts/Mat/Maste/Mástil/Tramo													
TRO	H[m]	4f/4f BF117	4f/4f BF052	4f/4f BF039	4f/2f SB117	4f/2f SB052	4f/2f SB039	2f/2f ST117	2f/2f ST052	2f/2f ST039	2f/2f STB117	2f/2f STB039	2f/2f RA039	4f/2f SBB039	4f/2f SBB117
	39				1			2		1					
	36.4					1			6						
TTD															
	* 39											8	1	1	
	* 39											6	1		1

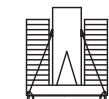
		Torre/Masts/Mat/Maste/Mástil/Tramo													
CAF	H[m]	4f/4f BF117	4f/4f BF052	4f/4f BF039	4f/2f SB117	4f/2f SB052	4f/2f SB039	2f/2f ST117	2f/2f ST052	2f/2f ST039	2f/2f STB117	2f/2f STB039	2f/2f RA039	4f/2f SBB039	4f/2f SBB117
	44.2				1			2		1					
	41.6					1			6						
	* 44.2											8	1	1	
	* 44.2											6	1		1



H=0-45 m	
R1	
R2	106 t
R3	95 t
M	336 mt






Peso zavorra | Ballast weight | Poids du lest | Ballastgewicht | Peso de lastre

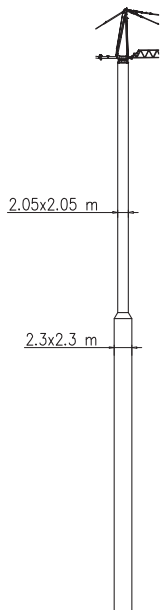
	H	Tot.
	0-45 m	105600 kg

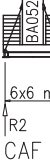
Torre/Reazioni | Masts/Reactions | Mat/Réactions | Maste/Eckdrücke | Mástil/Reacciones | Tramo/Reacções

SN2050


 45 m → 65 m

		Torre/Masts/Mat/Maste/Mástil/Tramo													
TRO	H[m]	4f/4f BF117	4f/4f BF052	4f/4f BF039	4f/2f SB117	4f/2f SB052	4f/2f SB039	2f/2f ST117	2f/2f ST052	2f/2f ST039	2f/2f STB117	2f/2f STB039	2f/2f RAO39	4f/2f SBB039	4f/2f SBB117
	63.7	1	1		1			3							
	62.4		4			1			7						
TTD	57.2	1	1			1		1		6					
	63.7		4									9	1	1	
	63.7	1	1									8	1		1



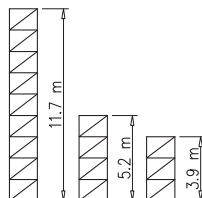
		Torre/Masts/Mat/Maste/Mástil/Tramo													
CAF	H[m]	4f/4f BF117	4f/4f BF052	4f/4f BF039	4f/2f SB117	4f/2f SB052	4f/2f SB039	2f/2f ST117	2f/2f ST052	2f/2f ST039	2f/2f STB117	2f/2f STB039	2f/2f RAO39	4f/2f SBB039	4f/2f SBB117
	68.9	1	1		1			3							
	67.6		4			1			7						
	63.7	1	1			1				6					
* CAF	68.9		4									9	1	1	
	68.9	1	1									8	1		1

H=0-45 m		H=46-68 m	
R1	125 t	R1	140 t
R2	130 t	R2	144 t
R3	95 t	R3	103 t
M	486 tm	M	570 tm

		Torre/Masts/Mat/Maste/Mástil/Tramo													
CATR	H[m]	4f/4f BF117	4f/4f BF052	4f/4f BF039	4f/2f SB117	4f/2f SB052	4f/2f SB039	2f/2f ST117	2f/2f ST052	2f/2f ST039	2f/2f STB117	2f/2f STB039	2f/2f RAO39	4f/2f SBB039	4f/2f SBB117
	61.1	1	1		1			2							
	59.8		4			1			7						
	58.5	1	1			1				8					
* CATC	61.1		4									7	1	1	
	61.1	1	1									6	1		1

Peso zavorra | Ballast weight | Poids du lest | Ballastgewicht | Peso de lastre

H	Tot.
0-55 m	102320 kg
56-69 m	112460 kg



Curve di carico | Courbes de charges | Load diagrams | LastKurven | Curvas de cargas

P_{max} 6000 kg

	31240 kg	65 m	3.5	30	34	36	38	40	42	44	46	48	50	52	54	56	58	60	62	65	m	
			6000	6000	5300	4900	4500	4200	3900	3700	3500	3400	3200	2900	2800	2700	2600	2100	1800	1700	kg	
	31240 kg	60 m	3.5	30	34	36	38	40	42	44	46	48	50	52	54	56	58	60				m
			6000	6000	5300	4900	4500	4200	3900	3700	3500	3400	3200	2900	2800	2700	2600	2500				kg
	28400 kg	55 m	3.5	33	34	36	38	40	42	44	46	48	50	52	54	55						m
			6000	6000	5900	5500	5000	4700	4400	4000	3800	3600	3500	3300	3200	3000						kg
	25560 kg	50 m	3.5	35	36	38	40	42	44	46	48	50									m	
			6000	6000	5700	5200	4900	4600	4300	4000	3700	3500									kg	
	22720 kg	45 m	3.5	35	36	38	40	42	44	45											m	
			6000	6000	5700	5200	4900	4600	4300	4000											kg	

P_{max} 12000/6000 kg

	31240 kg	65 m	3.5	16	20	24	28	30	34	36	38	40	42	44	46	48	50	52	54	56	58	60	62	65	m
			12000	9800	8100	6800	6000	5300	4900	4500	4200	3900	3700	3500	3400	3200	2900	2800	2700	2600	2100	1800	1700		
	31240 kg	60 m	3.5	16	20	24	28	30	34	36	38	40	42	44	46	48	50	52	54	56	58	60			m
			12000	9800	8100	6800	6000	5300	4900	4500	4200	3900	3700	3500	3400	3200	2900	2800	2700	2600	2500			kg	
	28400 kg	55 m	3.5	16	20	24	28	30	34	36	38	40	42	44	46	48	50	52	54	55					m
			12000	10000	9000	7600	7000	5900	5500	5000	4700	4400	4000	3800	3600	3500	3300	3200	3000					kg	
	25560 kg	50 m	3.5	18	20	24	28	30	34	36	38	40	42	44	46	48	50							m	
			12000	11500	9700	8200	7300	6100	5700	5200	4900	4600	4300	4000	3700	3500							kg		
	22720 kg	45 m	3.5	18	20	24	28	30	34	36	38	40	42	44	45								m		
			12000	11500	9700	8200	7300	6100	5700	5200	4900	4600	4300	4000								kg			

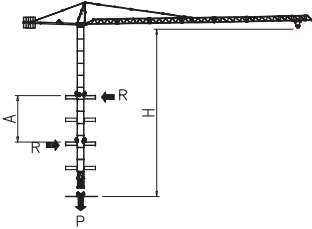
Pesi e ingombri | Packing list | Liste de colisage | Gewicht und abmessungen

Denominazione Description	Disegno Draw	Pezzi Pieces	Dimensioni-Dimensions (mm)			Peso-Weight (kg)		
			L	W	H	Unit	Total	
Elemento di braccio Jib element Elément de èche Elemento de flecha	n°1		1	5760	1440	1600	1100	-
	n°2		1	5820	1400	1470	820	-
	n°3		1	5860	1400	1470	840	-
	n°4		1	5860	1400	1470	780	-
	n°5		1	5860	1400	1470	740	-
	n°6		1	5850	1400	1470	720	-
	n°7		1	5820	1400	1470	720	-
	n°8		1	5820	1400	1470	760	-
	n°9		1	5850	1400	1450	700	-
	n°10		1	5740	1400	1450	520	-
	n°11		1	5770	1400	1450	500	-
	n°12		1	4350	1400	1450	390	-
	Punta		1	800	1400	1400	170	-
Tirante completo Complete tie rod Tirant complète Tirante completo		12	6500	200	200	240	3540	
Cuspide Cusp Pointre Cúspide		1	8300	1500	1000	2900	-	
Contorbraccio completo Complete counterjib Contrefèche complète Contraflecha completa		1	9300	1650	600	2000	-	
Gruppo girevole Slewing group Table tournante Grupo giratorio		SK1700	1	5100	1810	1400	6500	-
		SN2050	1	5100	1810	1400	6800	-
Carrello Trolley Chariot Carretilla		1	1900	1620	1000	400	-	
Ballatoio con cabina Access balcony with cabin Porte cabine Balcón corrido con cabina		1	2500	2150	2450	1000	-	

Pesi e ingombri | Packing list | Liste de colisage | Gewicht und abmessungen

Denominazione Description	Disegno Draw	Pezzi Pieces	Dimensioni-Dimensions (mm)			Peso-Weight (kg)		
			L	W	H	Unit	Total	
Blocchi contrappeso Counterweight block Contre-poids Bloques de contrapeso	VX28 	11	1100	280	3700	2840	31240	
Elemento di torre Mast element Élément de mature Elemento de torre	ST039 	SK1700	—	3900	1785	1785	1750	—
		SN2050	—	3900	2110	2110	2320	—
	ST052 	SK1700	—	5200	1785	1785	2250	—
		SN2050	—	5200	2110	2110	2850	—
	ST117 	SK1700	—	11700	1785	1785	4690	—
		SN2050	—	11700	2110	2110	5790	—
	SB039 	SK1700	—	3900	1785	1785	2100	—
		SN2050	—	3900	2110	2110	2710	—
	SB052 	SK1700	—	5200	1785	1785	2600	—
		SN2050	—	5200	2110	2110	3350	—
	SB117 	SK1700	—	11700	1785	1785	4830	—
		SN2050	—	11700	2110	2110	7000	—
BF039 	SK1700	—	3900	1785	1785	2450	—	
	SN2050	—	3900	2110	2110	3370	—	
BF052 	SK1700	—	5200	1785	1785	3390	—	
	SN2050	—	5200	2110	2110	3880	—	
BF117 	SK1700	—	11700	1785	1785	6920	—	
	SN2050	—	11700	2110	2110	8180	—	
Elemento di base Base element Mat de base Elemento de base	BA052 	SK1700	1	5200	2060	2060	3650	—
		SN2050	1	5200	2260	2260	4040	—
Carro di base Base carriage Chassis de base Cruceta de base		5x5	1	7550	670	780	2300	2300
		6x6	1	8870	670	780	2500	2500
		5x5	2	3530	420	780	1060	2120
		6x6	2	4320	420	780	1200	2400
Puntoni di base Rafter Jambes de force Cabrios de base		5x5	4	4250	240	300	280	1120
		6x6	4	4560	420	300	420	1680
Elemento a perdere Disposable frame Chassis a perdre Bastidor desechable		SK1700	1	1840	1910	1910	1430	—
		SN2050	1	2600	2260	2260	2030	—
Elemento recuperabile Recoverable frame Chassis récupérable Bastidor recuperable		SK1700	1	1300	2170	2170	1720	—
		SN2050	1	1300	2620	2620	1860	—
Bogie di traslazione Driven bogie Boggie motorisee Balancin de traslaciòn		4	1160	700	600	700	2800	
Blocco zavorra di base Base ballast block Lest de base Blaque de lastre		5x5	2	5300	1000	600	7300	14600
		6x6	2	6400	1200	600	10600	21200
		5x5	—	4100	1600	300	3500	—
		6x6	—	4800	2000	300	5070	—
Corsoio di montaggio Climbing cage Cage de montage Jaula de montaje		SK1700	1	8300	2600	2500	6000	—
		SN2050	1	8300	2900	2700	6700	—

Gru in cavedio | Télescopage sur dalles | Climbing crane | Kletterkrane im Gebäude

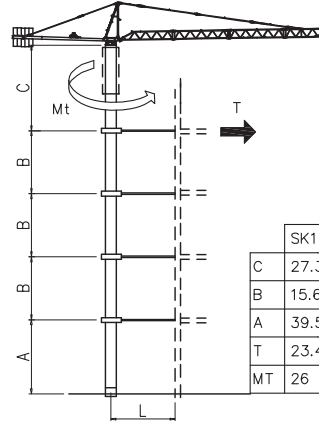
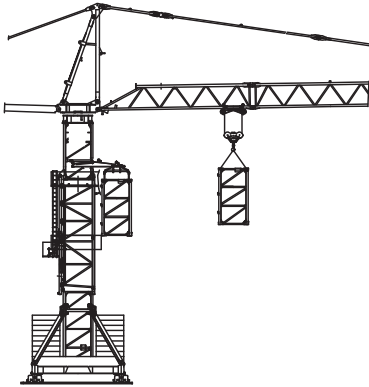


SN2050	H (m)	A (m)	R (m)	P (t)
	9	9	45.3	
	10	10	42	
	11	11	39.3	
	12	12	37	
	13	13	35	
	14	14	33.4	
	15	15	32	
	16	16	30.7	
	17	17	29.6	
	18	18	28.6	
	19	19	27.8	
20	20	27		

Apertura passaggio gru
Opening for crane passing

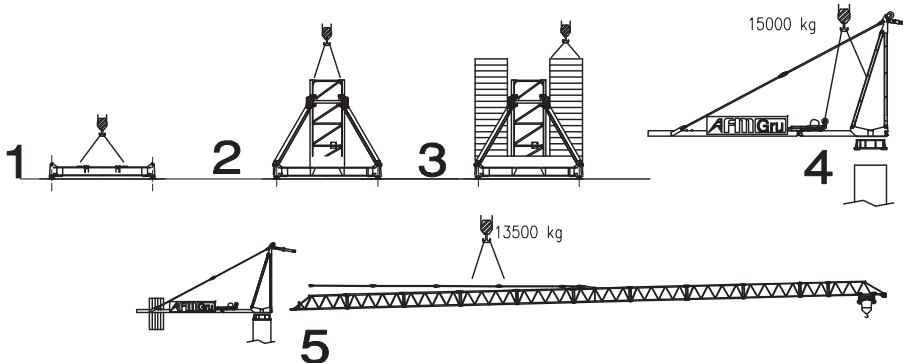


Sopralzo idraulico | Telescopic | External climbing | Kletterkrane



	SK1700	SN2050
C	27.3 m	31.2 m
B	15.6 m	19.5 m
A	39.5 m	50 m
T	23.4 m	27.5 m
MT	26 t xm	26 t xm

Montaggio | Montage | Erection | Montage | Montaje | Montagem



Meccanismi | Mechanisms | Mécanismes | Antriebe | Mecanismos

Sollevamento V45.60 Hoisting Levage Heben Elevaci3n Eleva7ao														V45.60 33 kW 57 kVA 270 m 500 m (L)
	m/min	3	14	30	45	60	72	1.5	7	15	22.5	30	36	
	t	6	6	6	3.5	2.4	1.4	12	12	12	7	4.8	2.8	

Sollevamento V100.130 Hoisting Levage Heben Elevaci3n Eleva7ao														V100.130 75 kW 110 kVA 360 m 750 m (L)
	m/min	6	28	54	86	115	130	3	14	27	43	57	65	
	t	6	6	6	4	2.8	1.4	12	12	12	8	5.6	2.8	

Carrello Trolleying Distribution Katzfahren Distribuci3n Distribui7ao			0 → 100	m/min	5.5 kW	Potenza elettrica necessaria Puissance électrique nécessaire Necessary electric power Anschlusswert - Potencia
Rotazione Slewing Orientation Schwenken Orientaci3n Rota7ao			0 → 0,9	giri/min tr/min rp/min	6.6 kW @ 1200rpm n° 3 x 2.2 kW	
Traslazione Travelling Translation Kranfahren Traslaci3n Traslao7ao			0 → 20	m/min	7.5 kW	

Rete elettrica | Réseau | Mains supply | Netzstrom | Red | Rede electrica

400 V - 50 Hz